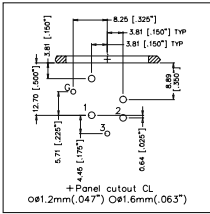
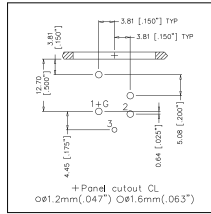


## AC SERIES A AND B TYPE CHASSIS PCB FOOTPRINTS STRAIGHT (V) - CONNECTOR SIDE OF PCB

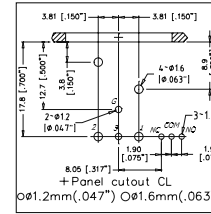


**AC3FAH2  
AC3FBH2  
AC3FBHB2**

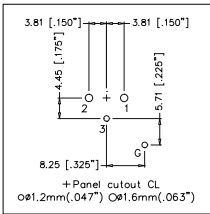


**AC3FAH1  
AC3FAH3  
AC3FBH1  
AC3FBHB1  
AC3FBH3**

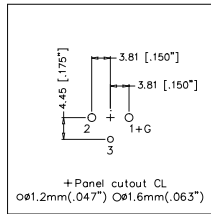
**AC3FBHB3  
AC3FAH  
AC3FBH  
AC3FBHB**



**AC3MAH4SWB**

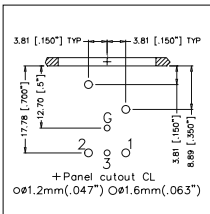


**AC3FAV2  
AC3FBV2  
AC3FBVB2**

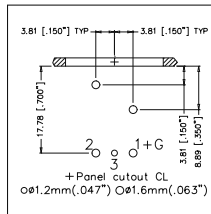


**AC3FAV1  
AC3FAV3  
AC3FBV1  
AC3FBVB1  
AC3FBV3**

**AC3FBVB3  
AC3FAV  
AC3FBV  
AC3FBVB**

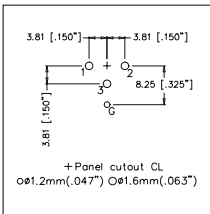


**AC3MAH2  
AC3MAH4  
AC3MBH2  
AC3MBHB2**

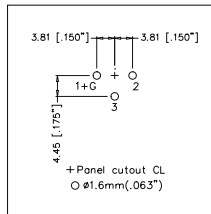


**AC3MAH1  
AC3MAH3  
AC3MBH1  
AC3MBHB1  
AC3MBH3  
AC3MBHB3**

**AC3MAH  
AC3MBH  
AC3MBHB  
AC3MBHL  
AC3MBHBL**



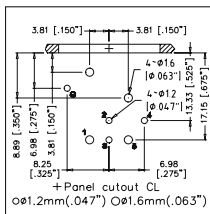
**AC3MAV2  
AC3MAV4  
AC3MBV2  
AC3MBVB2**



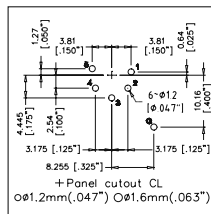
**AC3MAV1  
AC3MAV3  
AC3MBV1  
AC3MBVB1  
AC3MBV3  
AC3MBVB3**

**AC3MBVB3  
AC3MAV  
AC3MBV  
AC3MBVB**

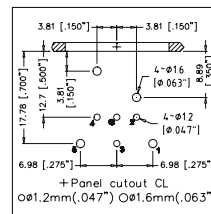
## AC SERIES 5 PIN PCB FOOTPRINTS STRAIGHT (V) - CONNECTOR SIDE OF PCB



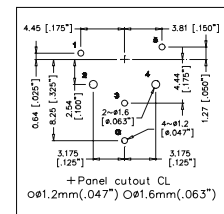
**AC5FAH**



**AC5FAV**



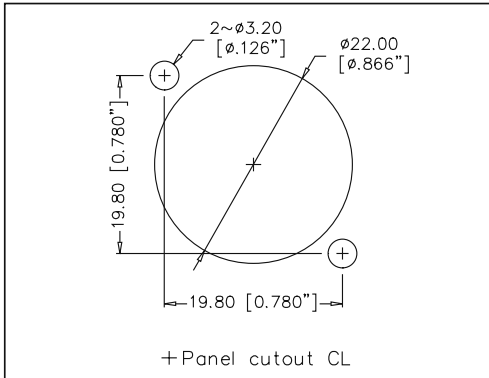
**AC5MAH**



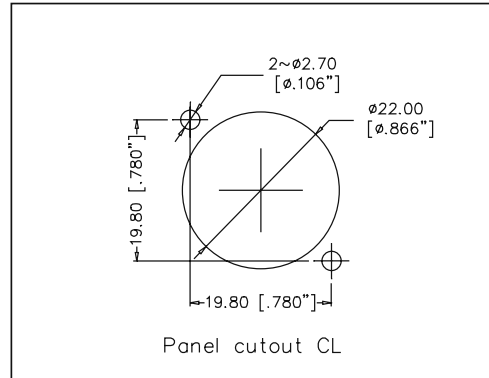
**AC5MAV**

## AC SERIES A AND B TYPE CHASSIS PANEL CUTOUT DIMENSIONS - FRONT VIEW

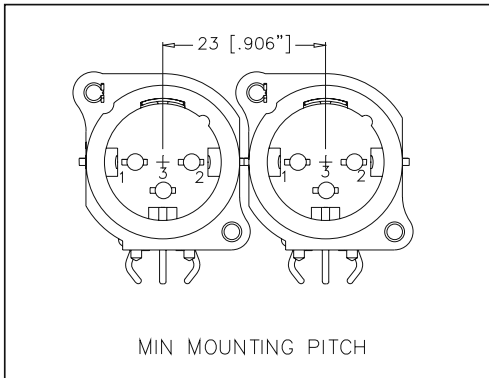
A TYPE



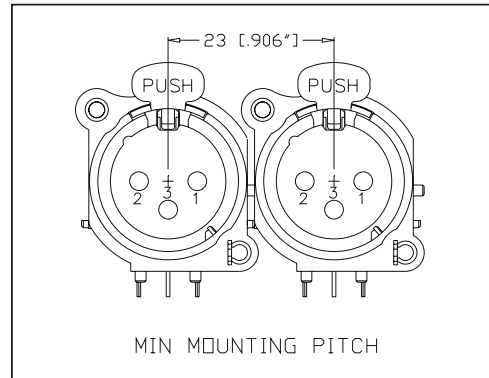
B TYPE



A AND B  
TYPE MALE  
MOUNTING  
PITCH



A AND  
B TYPE  
FEMALE  
MOUNTING  
PITCH



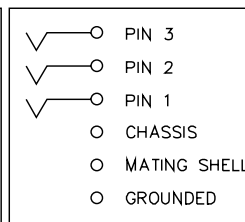
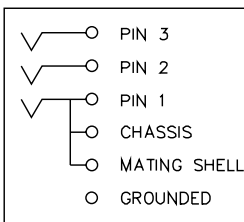
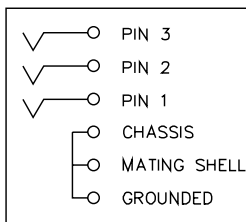
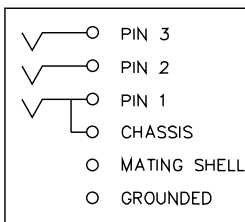
## AC3FA/BH/V SCHEMATIC CHART

AC3FA/BH/V3-AU  
AC3FA/BH/VL3-AU

AC3FA/BH/V2-AU  
AC3FA/BH/VL2-AU

AC3FA/BH/V1-AU  
AC3FA/BH/VL1-AU

AC3FA/BH/V-AU  
AC3FA/BH/VL-AU



AC3MA/BH/V3-AU  
AC3MA/BH/VL3-AU

AC3MA/BH/V2/4-AU  
AC3MA/BH/VL2/4-AU

AC3MA/BH/V1-AU  
AC3MA/BH/VL1-AU

AC3MA/BH/V-AU  
AC3MA/BH/VL-AU

